



MURRAY VENTILATION WILL BE PROVIDING DEMISTERS, FANS, & ELECTRONIC CONTROLS FOR NEW VENTILATION SYSTEM.

THE CURRENT CONFIGURATION DOES NOT PROVIDE ENOUGH AIR, & THE CONFIGURATION OF THE FIRE DAMPER & FAN IS INCORRECT.

THE YARD WILL PROVIDE INSTALLATION OF NEW COMPONENTS FOR SYSTEM IN CONJUNCTION W/ REASING & COATINGS OF EXISTING VENTILATION TRUNKS.

THREE OF THE FOUR CLAM SHELLS HULL SIDE ARE OPERATIONAL VENTS W/ ONLY 50% OF THE AVAILABLE SPACE USABLE. THE REMAINING 50% WILL BE MARKED & CUT FROM THE HULL SIDE.

THE NEW DEMISTERS WILL BE PAINTED FLAT BLACK. THE 4TH CLAM SHELL ON EACH SIDE IS NOT OPERATIONAL. THE INTERIOR WILL BE PAINTED FLAT BLACK TO MATCH THE OTHER THREE.

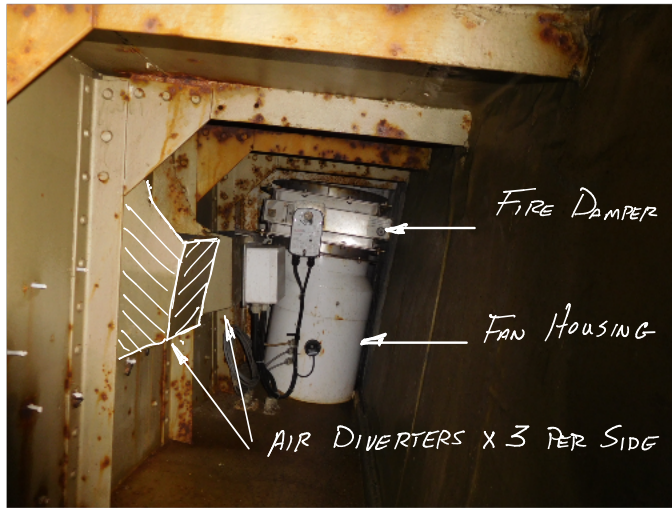
- | | |
|---|-----------------|
| • MARK & REMOVE CURRENT CLAM SHELLS | YARD |
| • MODIFY CLAM SHELL PER OWNER DESIGN | AMERICAN MARINE |
| • CUT NEW HOLES THROUGH SHELL PLATE | YARD |
| • DRESS CUT EDGES / PAINT TOUCH UP. | |
| • PREP & PAINT BLACK AREA OF 4 TH CLAM SHELL | YARD |
| • FABRICATE DEMISTERS | MURRAY |
| • PAINT DEMISTERS FLAT BLACK | YARD |
| • REMOVE EXISTING FANS & FIRE DAMPERS | YARD |
| • REMOVE EXISTING AIR DIVERTERS | YARD |
| • FAB. NEW FANS / REBUILD DAMPERS | MURRAY |
| • INSTALL NEW FANS & DAMPERS | YARD |
| • INSTALL ELECTRONIC CONTROLS | MURRAY |





• FAB ANY REQUIRED MOUNTING BRACKETS FOR CONTROL SYSTEM	YARD
• INSTALL DEMISTERS PER OWNER DESIGN	YARD
• RUN DEMISTER DRAIN LINES	YARD
• (OPTION) - RELOCATE HOLE IN ENGINE RM	YARD
• ELEC. CONNECTION OF NEW FANS & FIRE DAMPERS	YARD
• FINAL CONNECTION & COMMISSION OF SYS	MURRAY
• REMOVE LEAD BALLAST	YARD

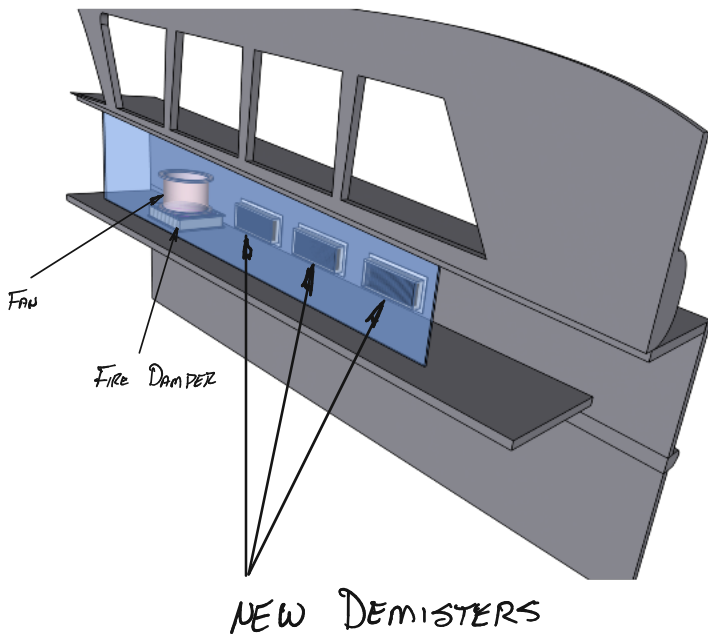




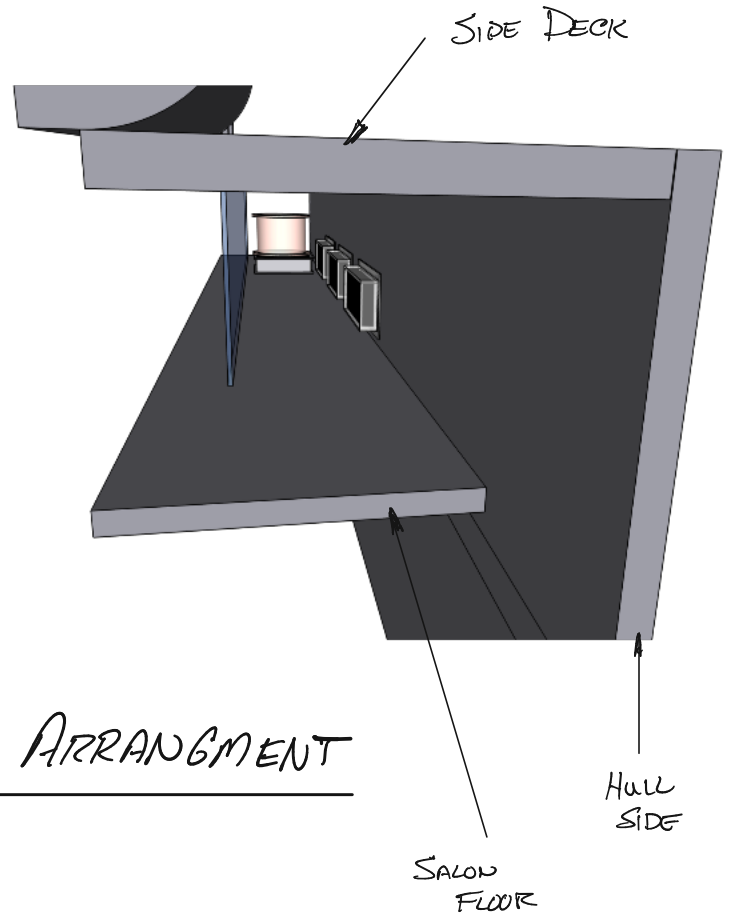
PORT VENT TRUNK



STARBOARD VENT TRUNK



NEW ARRANGMENT





THIS AREA TO BE
REMOVED FROM SHELL
PLATE ON 6 OR 8
CLAM SHELLS.
TWO OF 8 TO BE
PAINTED BLACK INSIDE
OF FRAME

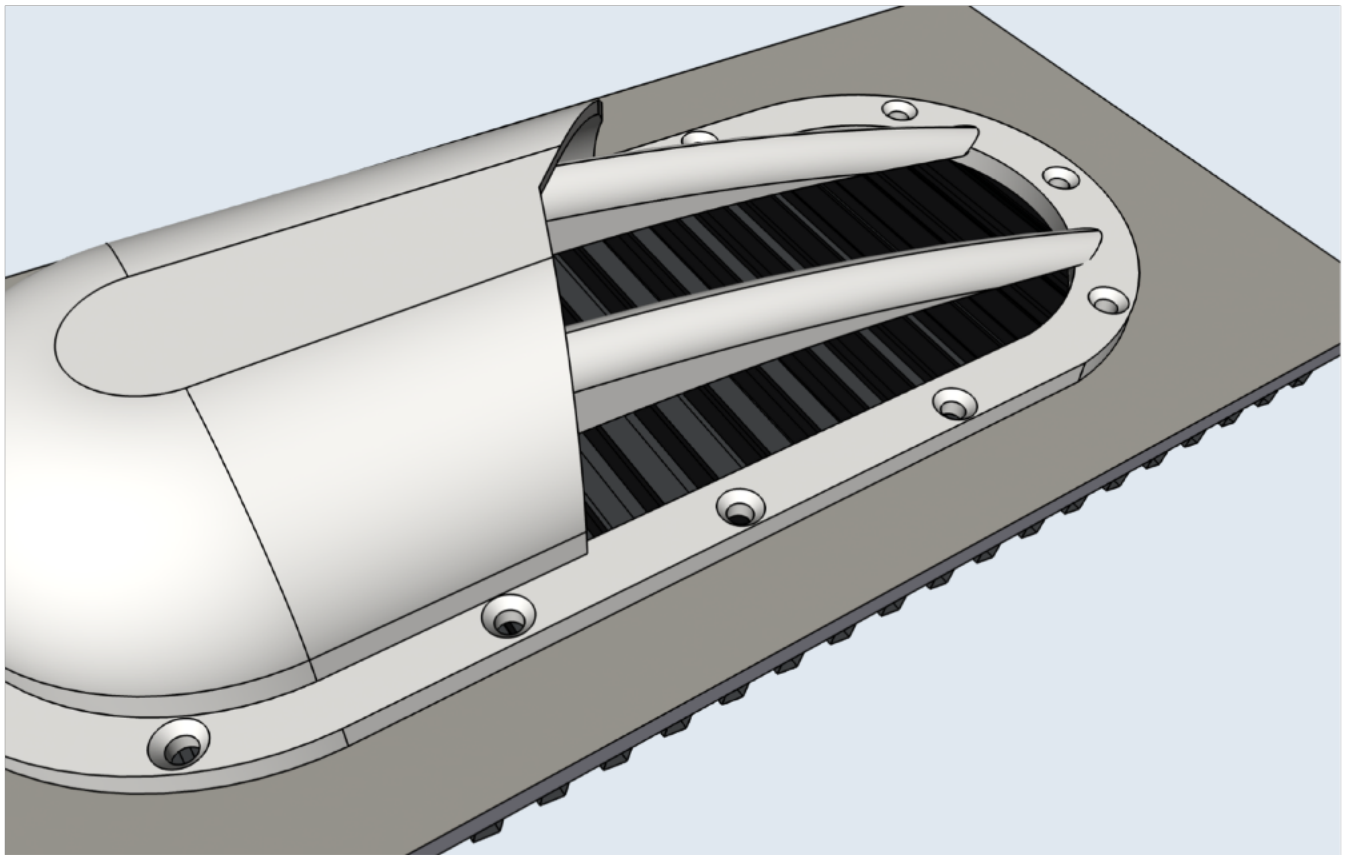
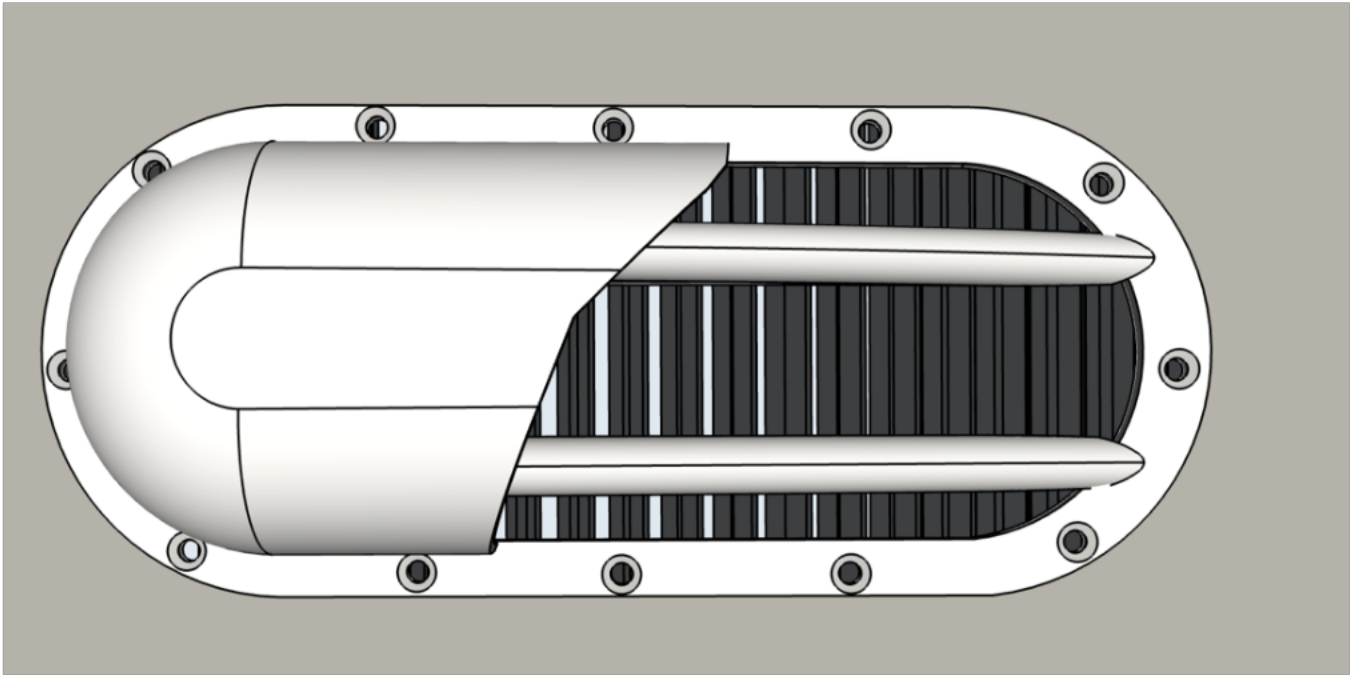
EXISTING CLAM SHELL



Drawings Fabrication & Details Inc.



MEMBER
ABYC
Setting Standards for Safer Boating





Drawings Fabrication & Details Inc.



MEMBER
ABYC[®]
Setting Standards for Safer Boating

